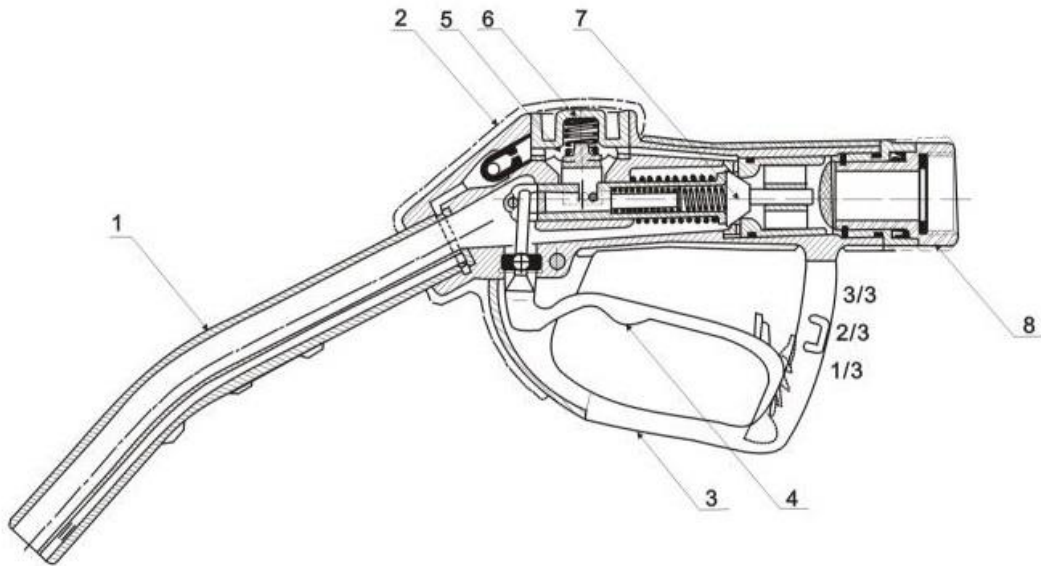


Automatic Nozzle MX(B)-Z45 + MX(B)-Z70



No.	Description	MX-Z45	MXB-Z45	MX-Z70	MXB-Z70
1	Spout 13/16"	X	X		
1	Spout 15/16"			X	X
2	Hand Insulator	X	X	X	X
3	Lever-Guard	X	X	X	X
4	Lever Assembly	X	X	X	X
5	Diaphragm Assembly	X	X	X	X
6	Vac Cap	X	X	X	X
7	Main Valve	X	X	X	X
8	3/4"F BSPP	X			
8	3/4"F NPT		X		
8	1"F BSPP			X	
8	1"F NPT				X